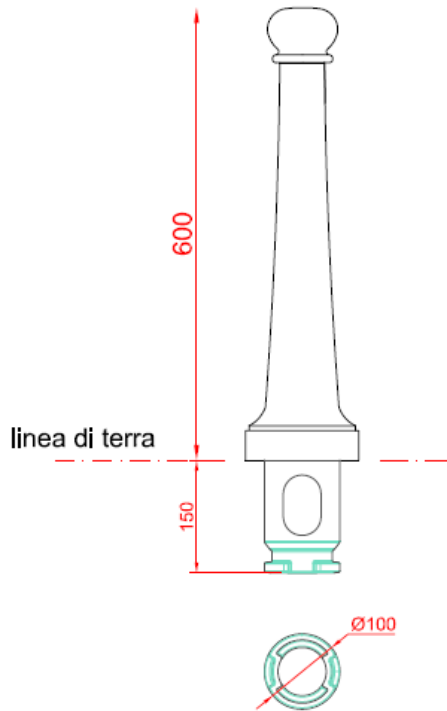


**701-6**





## FITTONE 701/6

Dissuasore stradale realizzato in ghisa UNI EN1561 che corrisponde per forma e decori al disegno qui sotto rappresentato.

Il dissuasore è composto da:

- 1) Un corpo centrale in ghisa avente altezza circa 750mm, di forma circolare, avente uno zoccolo alto 40mm, una parte centrale tronco conica, e per finire una cima di forma sferoidale.

L'altezza fuori terra del dissuasore è di 600mm.

E' previsto un sistema di removibilità solo su richiesta.

## BOLLARD 701/6

This 600 mm high bollard is made of EN-GJL-200 UNI EN 1561-compliant cast iron and consists of the following parts:

- 1) 750 mm long stand. The 150 mm long end should be inserted into a foundation plinth
- 2) and central truncated-cone part
- 3) a spherical top

Bollard total height: 600 mm

A removable system is available only upon request.

## System of removability only on request

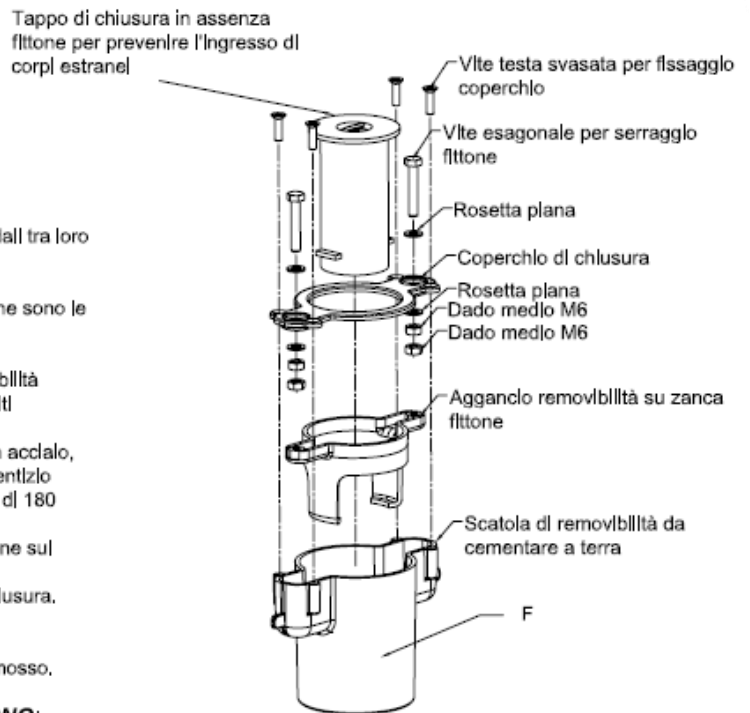
System of fastening formed by coupled elements integral with each other thanks to hexagonal stainless steel screws AISI 304.

The system will be supplied assembled, the operations for installation are the following:

- 1) remove the closing plug
- 2) Verify that the bollard is inserted in the system of removability and verify that it carries out one spin of 180 degrees. If not, operate on the hexagonal screws for the bollard serration, regulating it in height.
- 3) Sink into the flooring the removable system or only the steel Box (F), on the same one when the cement conglomerate is fixed, then install the bollard carrying out one spin of 180 degrees.
- 4) Lock the hexagonal screws pushing the bollards stirrup at the bottom of the box (F).
- 5) Fix the plug on screwing the 4 screws.

To remove this item, follow the instructions in reverse order. This system is equipped with a plug to be used after removing the bollard.

**LE MISURE DI INGOMBRO DELLA REMOVIBILITA' SONO:**  
ALTEZZA TOT 165mm , INGOMBRO LATERALE 280mm , DIAMETRO 140mm,



## Removable System Available on Request only

Specific fastening system made of coupled elements integral with each others using hexagonal stainless steel screws AISI 304 (V).

The system will be supplied assembled, the operations for installation are the following:

- 1) remove the closing plug
- 2) Insert the bollard in the removable system and verify that it carries out one spin of 180 degrees. If not, operate on the hexagonal screws for the bollard serration, regulating it in height.
- 3) Sink into the flooring the removable system or only the steel Box (F), on the same one when the cement conglomerate is fixed, then install the bollard carrying out one spin of 180 degrees.
- 4) Lock the hexagonal screws pushing the bollards stirrup at the bottom of the box (F).
- 5) Fix the plug on screwing the 4 screws.

To remove this item, follow the instructions in reverse order. This system is equipped with a plug to be used after removing the bollard.

