

Sirio 030 - 035 - 040

Technical data

Cylindrical stainless steel poles with base in cast iron designed for **pole-top installations**.

All the poles are equipped with a capital for pole top installation of the lighting fixture. On request can be provided different solution for smaller pole-top lighting fixture or for a suspended lighting fixture installation. The poles are available with foundation or flanged and they are equipped with M12 screw, AISI 304 stainless steel (electrically grounded).

SIRIO POLE 030

⊥	Flange SIP030_F 52 kg	⊕	Foundation SIP030_M 53 kg
---	-----------------------------	---	---------------------------------

↑mm 3.070 mm

SIRIO POLE 035

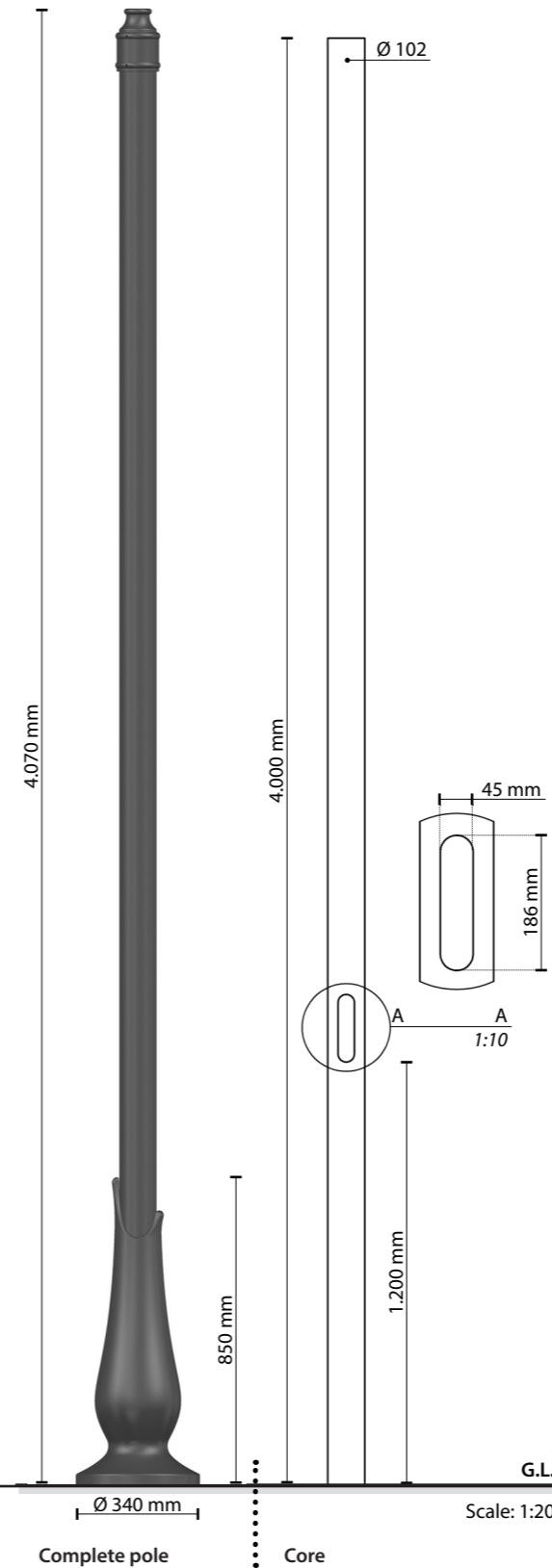
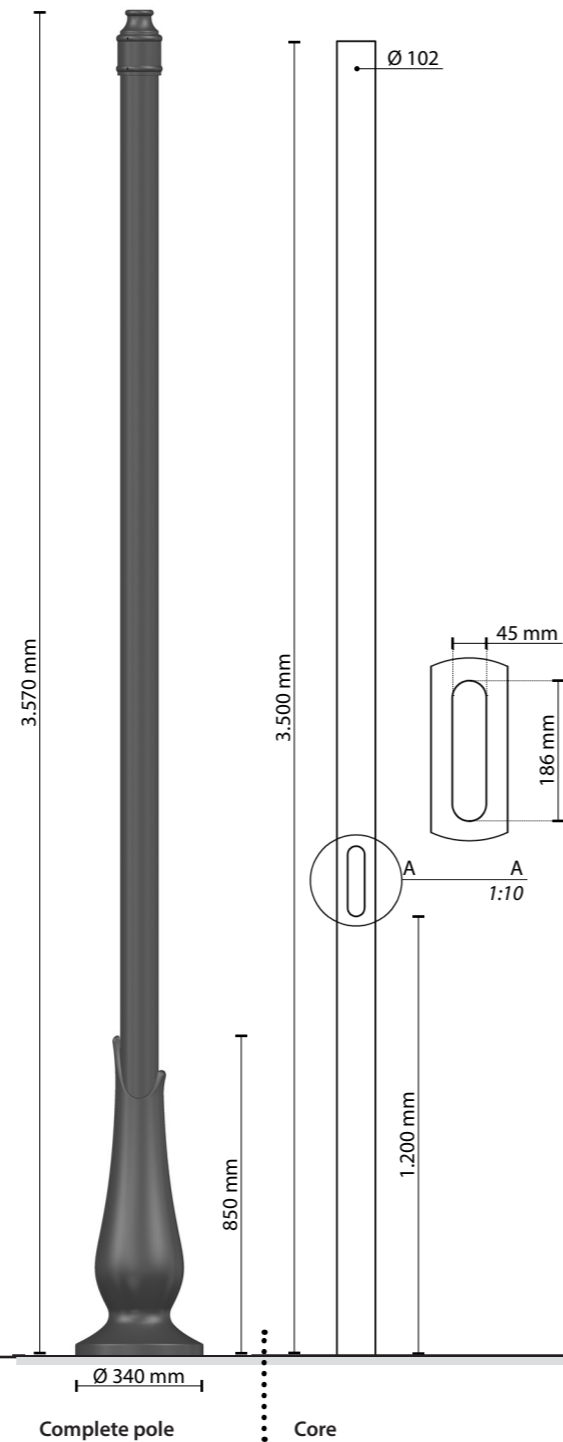
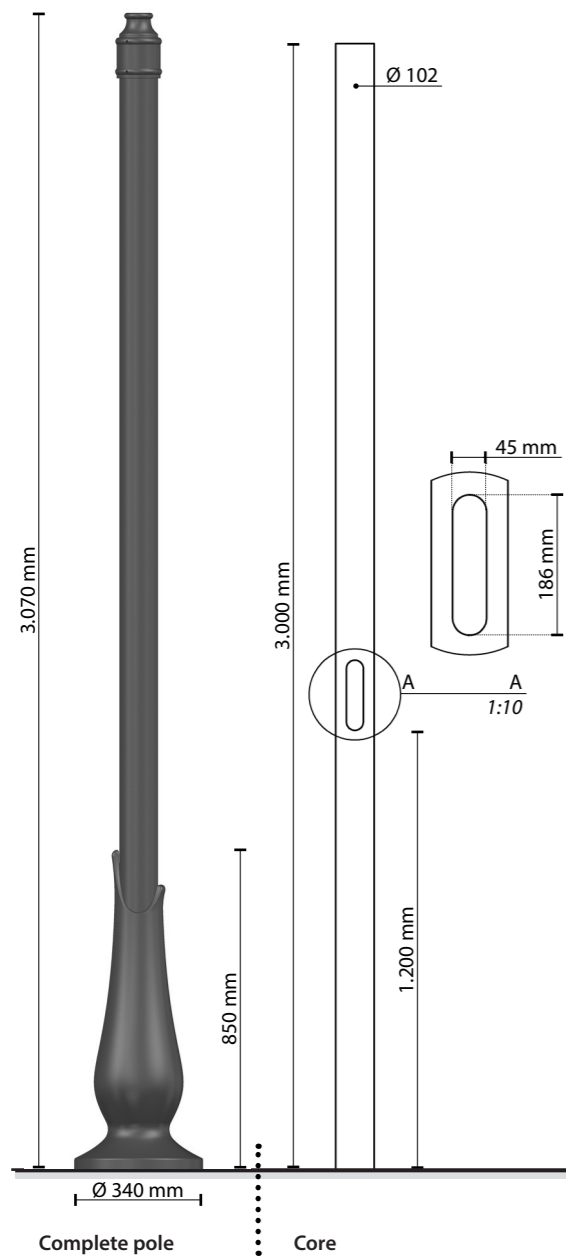
⊥	Flange SIP035_F 55 kg	⊕	Foundation SIP035_M 56 kg
---	-----------------------------	---	---------------------------------

↑mm 3.570 mm

SIRIO POLE 040

⊥	Flange SI0040_F 59 kg	⊕	Foundation SI0040_M 60 kg
---	-----------------------------	---	---------------------------------

↑mm 4.070 mm



CONFORMITY

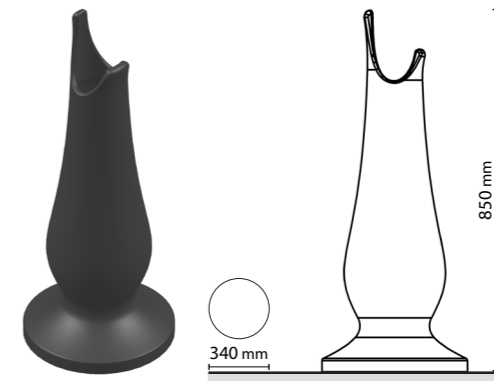


MATERIALS

Base:	Cast-iron EN1561
Core:	Steel S235 - hot galvanized UNI EN 10219 - EN1461
Color:	GMR dark

BASE

Sirio 10 28 kg Scale: 1:20



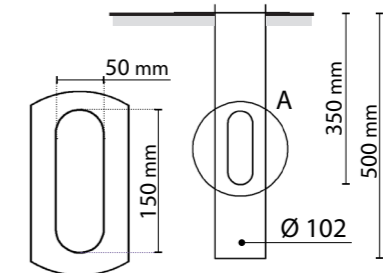
TERMINAL BLOCK 4x16mm² SMOOTH FITTING DOOR



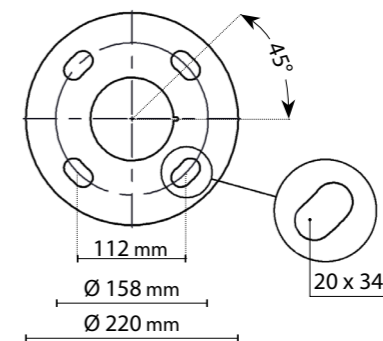
ANCHORAGE TYPE

⊕ Foundation

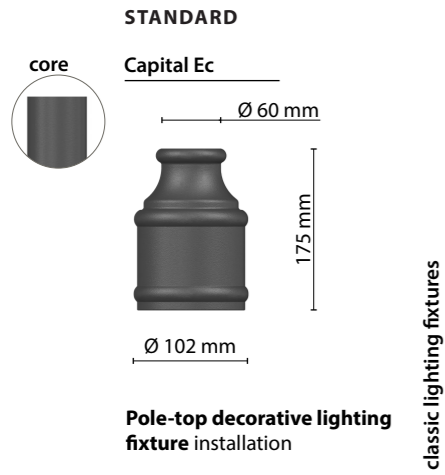
Supplied: heat-shrink sheath



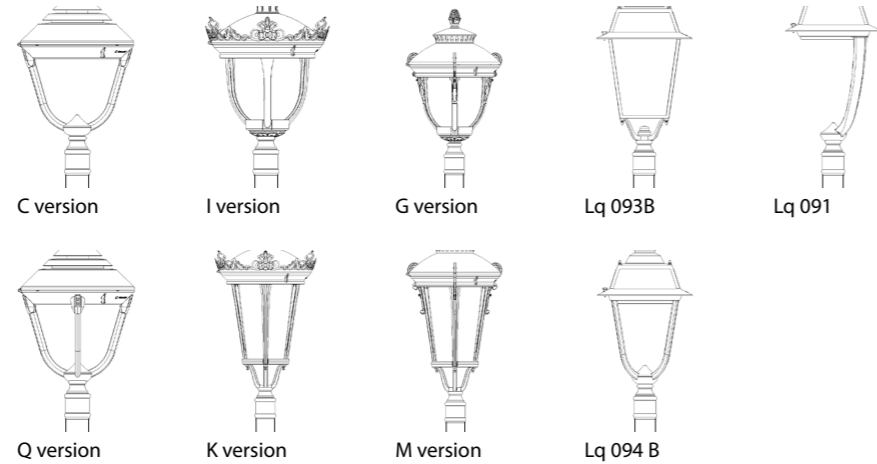
⊥ Flange



Pole-top systems



classic lighting fixtures



Protection cycles

GMR ENLIGHTS works with cast iron, steel and aluminum. The materials are selected and processed to maximize performance and quality.

Protection of galvanized steel surfaces for poles

The protection of galvanized steel elements is achieved by following steps:

- Micro sandblasting;
- First epoxy layer application followed by: Wilting > Drying > Cooling;
- Acrylic glaze layer application followed by: Wilting > Drying > Cooling;
- Packing at least after 24-hour-drying at room temperature.

Protection of galvanized steel surfaces for brackets and pastorals

The protection of the galvanized steel elements is achieved thanks to:

- Micro sandblasting;
- Phosphoric pickling bath at a ph level ranging from 1.5 to 3;
- Rinsing with demineralised water;
- First powder layer application;
- Kiln firing;
- Application of a final powder layer;
- Kiln roasting of the final powder layer at 180°;
- Cooling.

Protection of cast iron surfaces for bases

The protection of cast iron elements is achieved by the following treatments:

- Surface micro shotblasting;
- Mono-component dip galvanizing followed by: Wilting > Drying > Cooling;
- Epoxy micaceous primer application followed by: Wilting > Drying > Cooling;
- Acrylic enamel application followed by: Wilting > Drying > Cooling;
- Packing at least after 24-hour-drying at room temperature.

Protection of die-cast aluminium surfaces for lighting fixtures, tops, collars, brackets and pastorals

Brackets, pastoral, and die-cast accessories undergo a cycle of powder painting which creates a barrier against the corrosion of metal parts. Moreover this barrier makes the finished product comply with design specifications in terms of surface roughness, color and reflectance. The cycle consists of the following steps:

- Micro sandblasting;
- Hot pickling bath in a zinc-based phosphodegreasing solution;
- Specific process for the preparation of surfaces before painting;
- Washing with water;
- Rinsing with demineralised water and subsequent drying;
- First powder layer application followed by kiln baking at 180°;
- Final powder layer application using a High Durability product and final kiln roasting at 180°C.



Salt spray test | FLORIDA TEST

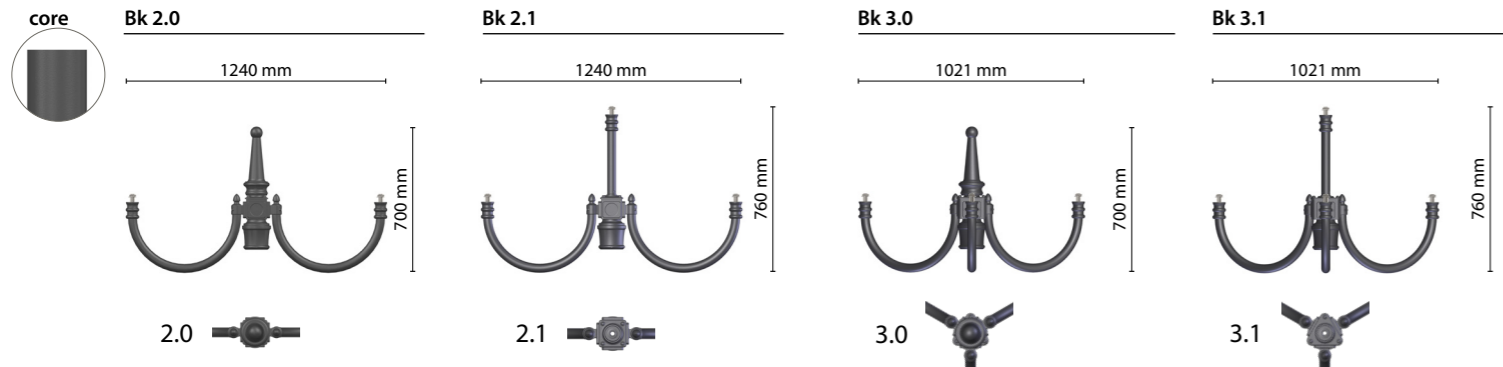
The top quality of such treatments is confirmed by salt spray tests performed in accordance with standard ISO 9227:2017 Neutral Salt Spray test (NSS). The test was carried out for 8.000 hours at 35°C and demonstrated through the report test released.

GALVANIZED STEEL

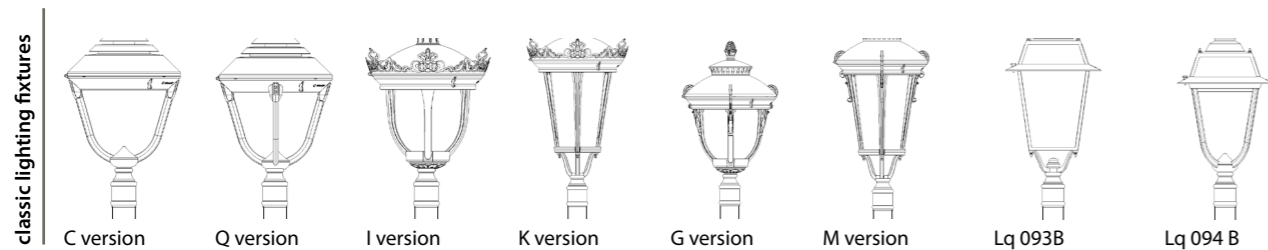
CAST IRON

DIE-CAST ALUMINIUM

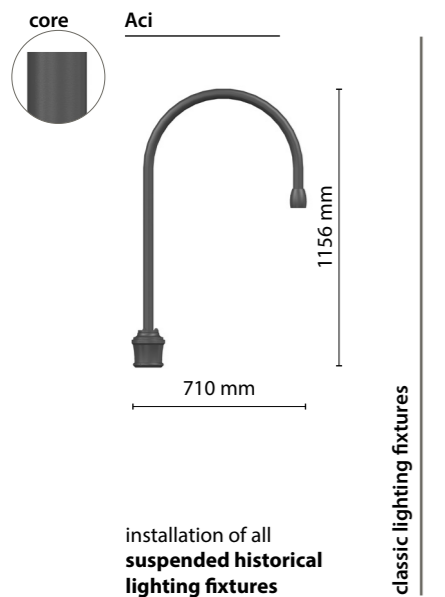
ON REQUEST (specific data sheets)



Pole-top decorative lighting fixture installation



ON REQUEST (specific data sheets)

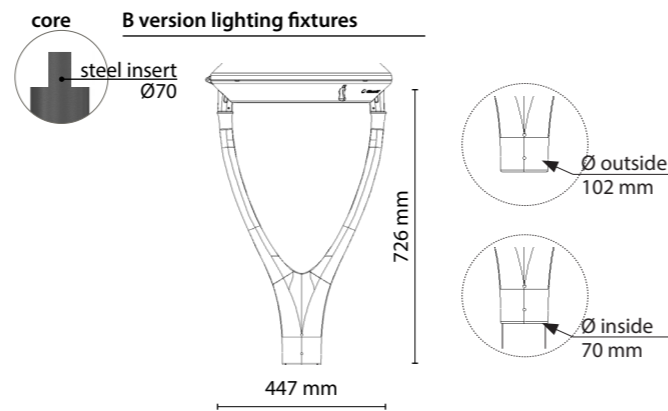


classic lighting fixtures



installation of all suspended historical lighting fixtures

ON REQUEST



installation of all B version historical lighting fixtures



GMR ENLIGHTS s.r.l

Legal headquarters:
Strada Provinciale Specchia - Alessano, 68 • 73040 (LE)

Administrative and operational headquarters:
Via Grande n°226 • 47032 Bertinoro (FC)

T +39 0543 462611
F +39 0543 449111

info@gmrenlights.com
www.gmrenlights.com