

Idro 090 - 100

Technical data

Cylindrical stainless steel tapered poles with base in cast iron designed for **single, double, triple or quadruple pole-arms installations**. The poles are available with foundation or flanged and they are equipped with M12 screw, AISI 304 stainless steel (electrically grounded).

IDRO POLE 090


 Flange
 IDP090_F
 133 Kg

 Foundation
 IDP090_M
 132 Kg

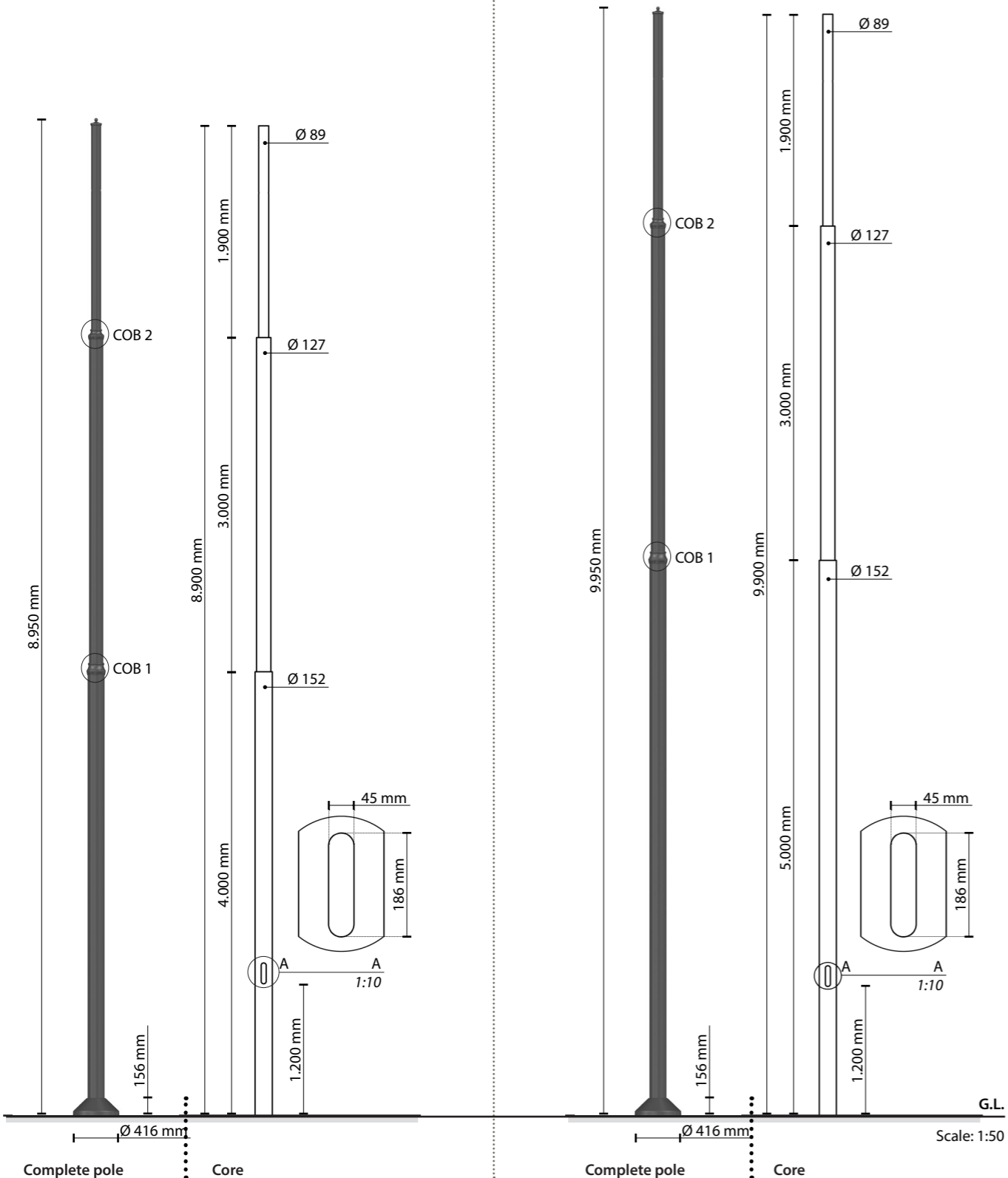
mm 8.950 mm

IDRO POLE 100




 Flange
 IDP100_F
 144 Kg

 Foundation
 IDP100_M
 143 Kg

mm 9.950 mm




Tops

Standard	On request	
C	M	P
		
102 mm	124 mm	126 mm
70 mm	220 mm	330 mm

COLLAR COB

- a=156 mm | b=136 mm
c=170 mm | h=110 mm
- a=130 mm | b=96 mm
c=144 mm | h=95 mm



CONFORMITY




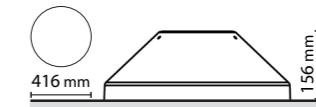
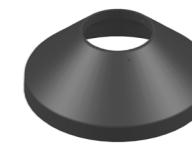
MATERIALS

Base: Cast-iron | EN1561
 Core: Steel S355 - hot galvanized | UNI EN 10219 - EN1461
 Collar | Top: Die cast aluminium | EN1706

Color: **GMR dark**

BASE

Idro 15  35 Kg
Scale: 1:20




TERMINAL BLOCK 4x16mm²

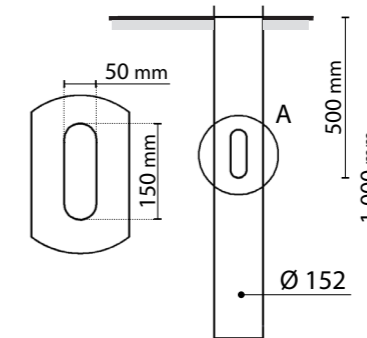
SMOOTH FITTING DOOR



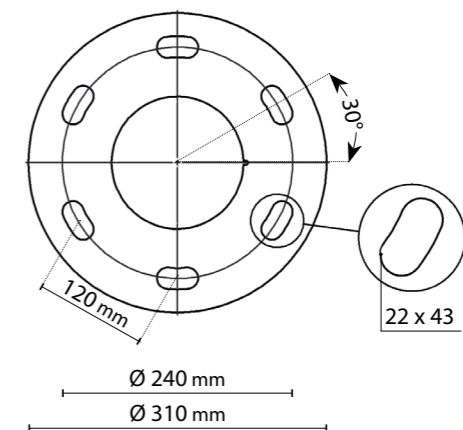
ANCHORAGE TYPE

 Foundation

Supplied: heat-shrink sheath



Flange



Protection cycles

GMR ENLIGHTS works with cast iron, steel and aluminum. The materials are selected and processed to maximize performance and quality.

GALVANIZED STEEL

Protection of galvanized steel surfaces for poles

The protection of galvanized steel elements is achieved by following steps:

- Micro sandblasting;
- First epoxy layer application followed by: Wilting > Drying > Cooling;
- Acrylic glaze layer application followed by: Wilting > Drying > Cooling;
- Packing at least after 24-hour-drying at room temperature.

Protection of galvanized steel surfaces for brackets and pastorals

The protection of the galvanized steel elements is achieved thanks to:

- Micro sandblasting;
- Phosphoric pickling bath at a ph level ranging from 1.5 to 3;
- Rinsing with demineralised water;
- First powder layer application;
- Kiln firing;
- Application of a final powder layer;
- Kiln roasting of the final powder layer at 180°;
- Cooling.

CAST IRON

Protection of cast iron surfaces for bases

The protection of cast iron elements is achieved by the following treatments:

- Surface micro shotblasting;
- Mono-component dip galvanizing followed by: Wilting > Drying > Cooling;
- Epoxy micaceous primer application followed by: Wilting > Drying > Cooling;
- Acrylic enamel application followed by: Wilting > Drying > Cooling;
- Packing at least after 24-hour-drying at room temperature.

DIE-CAST ALUMINIUM

Protection of die-cast aluminium surfaces for lighting fixtures, tops, collars, brackets and pastorals

Brackets, pastoral, and die-cast accessories undergo a cycle of powder painting which creates a barrier against the corrosion of metal parts. Moreover this barrier makes the finished product comply with design specifications in terms of surface roughness, color and reflectance. The cycle consists of the following steps:

- Micro sandblasting;
- Hot pickling bath in a zinc-based phosphodegreasing solution;
- Specific process for the preparation of surfaces before painting;
- Washing with water;
- Rinsing with demineralised water and subsequent drying;
- First powder layer application followed by kiln baking at 180°;
- Final powder layer application using a High Durability product and final kiln roasting at 180°C.



Salt spray test | FLORIDA TEST

The top quality of such treatments is confirmed by salt spray tests performed in accordance with standard ISO 9227:2017 Neutral Salt Spray test (NSS).

The test was carried out for 8.000 hours at 35°C and demonstrated through the report test released.



GMR ENLIGHTS s.r.l.

Legal headquarters:

Strada Provinciale Spechia - Alessano, 68 • 73040 (LE)

Administrative and operational headquarters:

Via Grande n°226 • 47032 Bertinoro (FC)

T +39 0543 462611

F +39 0543 449111

info@gmrenlights.com
www.gmrenlights.com