

# Aci 030 - 035 - 040

## Technical data

Cylindrical stainless steel poles with base in cast iron designed for **pole-top installations**.

All the poles are equipped with a capital for pole top installation of the lighting fixture. On request can be provided different solution for smaller pole-top lighting fixture or for a suspended lighting fixture installation. The poles are available with foundation or flanged and they are equipped with M12 screw, AISI 304 stainless steel (electrically grounded).

### ACI POLE 030

mm 3.070

Flange  
ACP030\_F  
kg 49

Foundation  
ACP030\_M  
kg 50

### ACI POLE 035

mm 3.570

Flange  
ACP035\_F  
kg 52

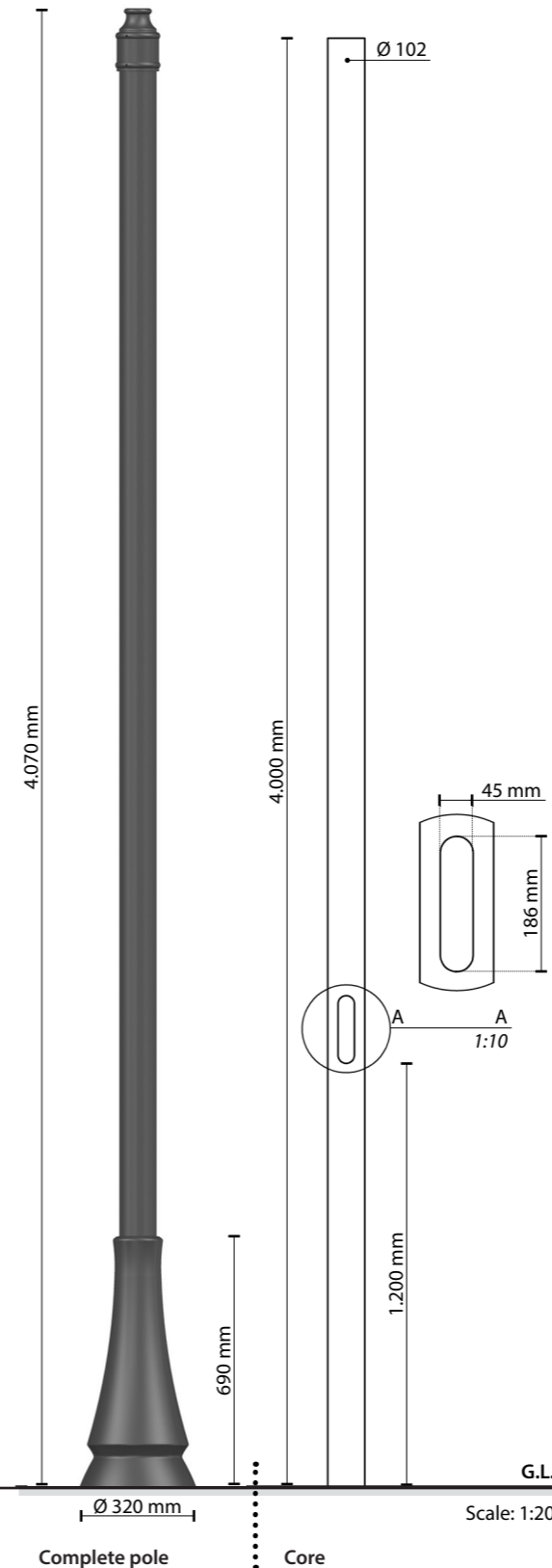
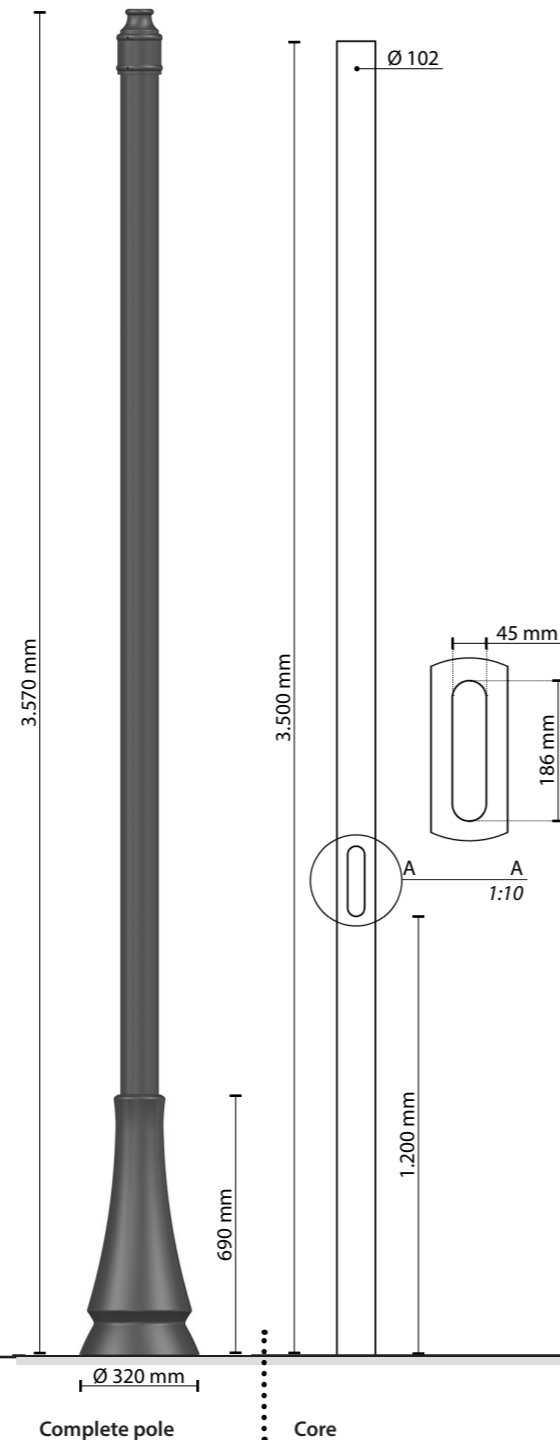
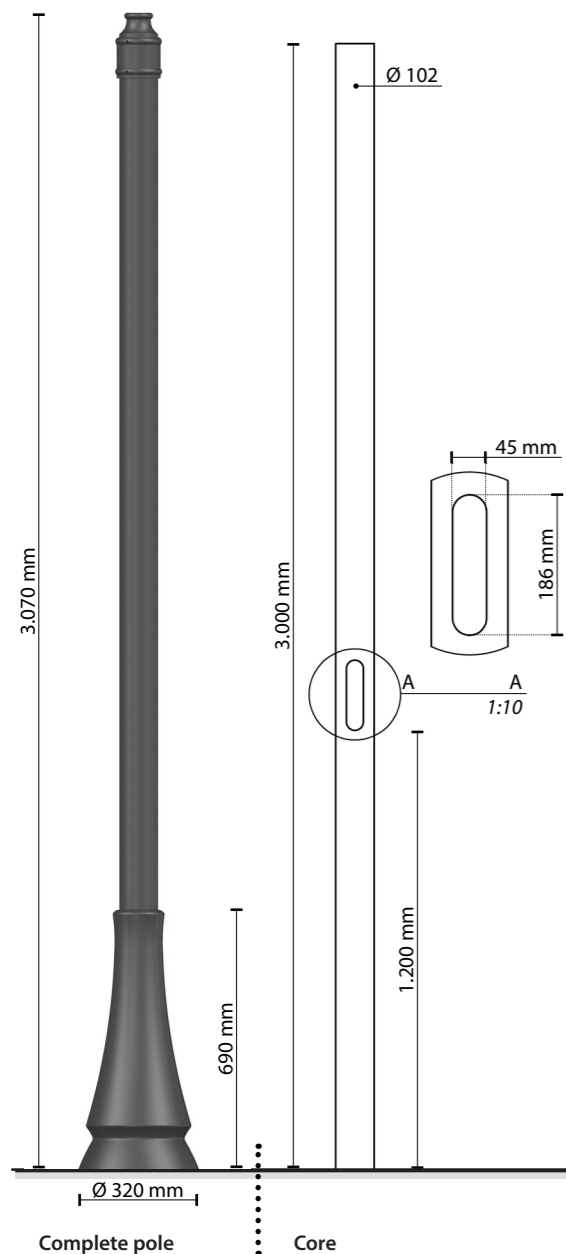
Foundation  
ACP035\_M  
kg 53

### ACI POLE 040

mm 4.070

Flange  
ACP040\_F  
kg 56

Foundation  
ACP040\_M  
kg 57



## CONFORMITY



## MATERIALS

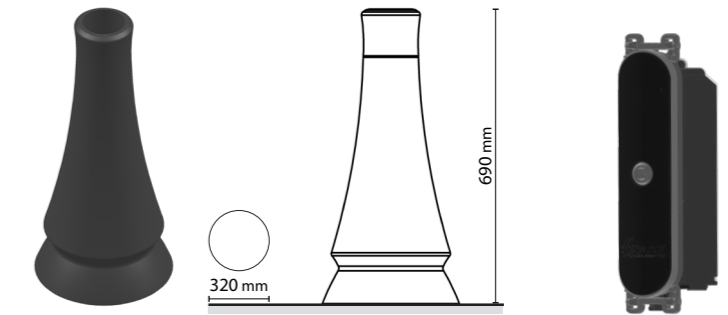
Base: Cast-iron | EN1561  
Core: Steel S235 - hot galvanized | UNI EN 10219 - EN1461  
Color: GMR dark

## BASE

Aci 10 kg 25  
Scale: 1:20

## TERMINAL BLOCK 4x16mm<sup>2</sup>

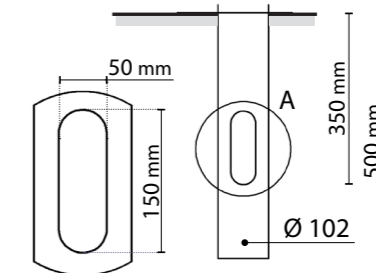
SMOOTH FITTING DOOR



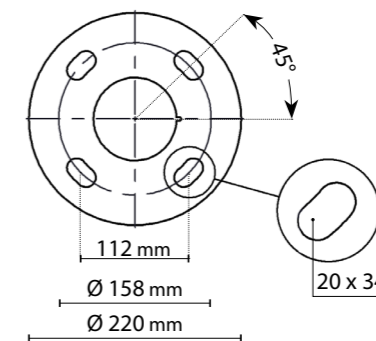
## ANCHORAGE TYPE

Foundation

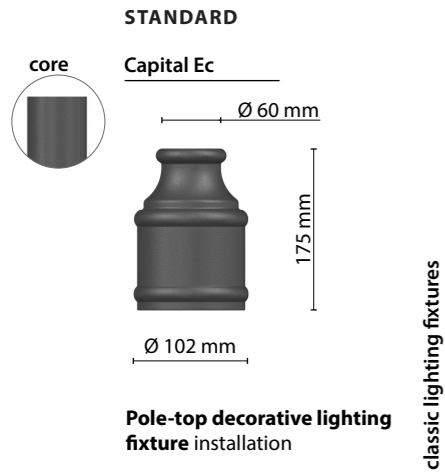
Supplied: heat-shrink sheath



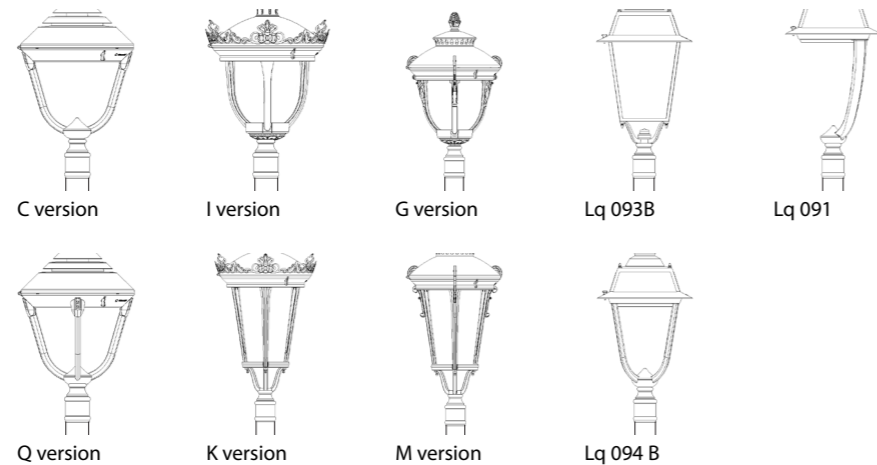
## Flange



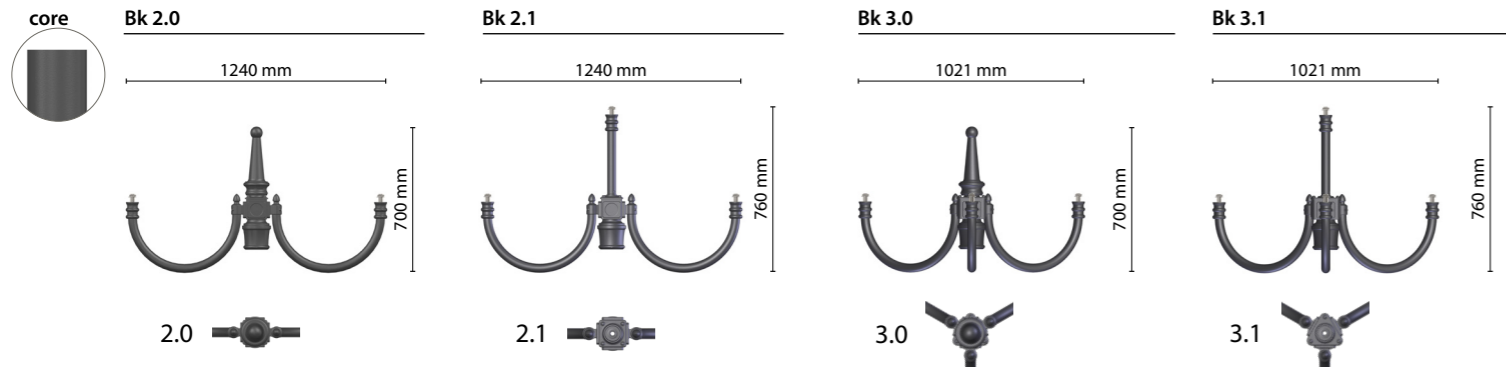
Pole-top systems



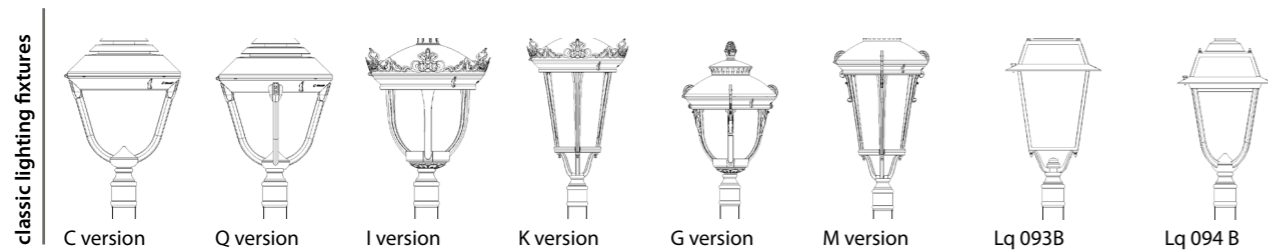
classic lighting fixtures



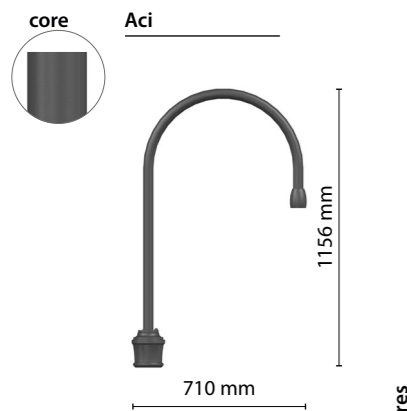
ON REQUEST (specific data sheets)



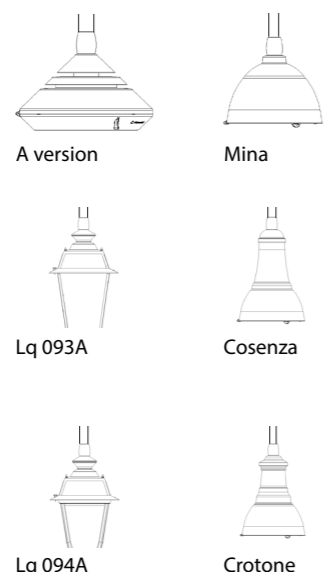
Pole-top decorative lighting fixture installation



ON REQUEST (specific data sheets)

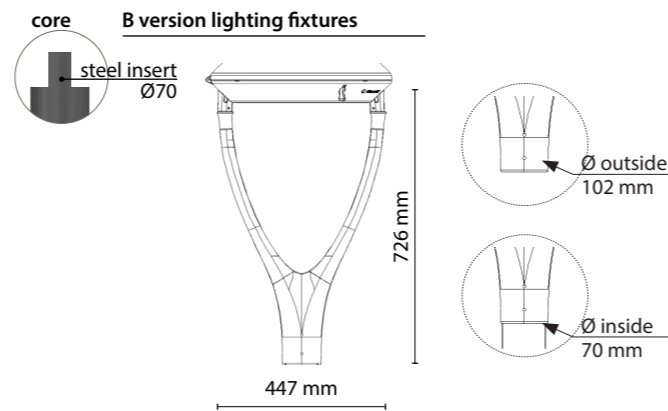


classic lighting fixtures



installation of all suspended historical lighting fixtures

ON REQUEST



installation of all B version historical lighting fixtures

Protection cycles

GMR ENLIGHTS works with cast iron, steel and aluminum. The materials are selected and processed to maximize performance and quality.

GALVANIZED STEEL

Protection of galvanized steel surfaces for poles

The protection of galvanized steel elements is achieved by following steps:

- Micro sandblasting;
- First epoxy layer application followed by: Wilting > Drying > Cooling;
- Acrylic glaze layer application followed by: Wilting > Drying > Cooling;
- Packing at least after 24-hour-drying at room temperature.

Protection of galvanized steel surfaces for brackets and pastorals

The protection of the galvanized steel elements is achieved thanks to:

- Micro sandblasting;
- Phosphoric pickling bath at a ph level ranging from 1.5 to 3;
- Rinsing with demineralised water;
- First powder layer application;
- Kiln firing;
- Application of a final powder layer;
- Kiln roasting of the final powder layer at 180°;
- Cooling.

CAST IRON

Protection of cast iron surfaces for bases

The protection of cast iron elements is achieved by the following treatments:

- Surface micro shotblasting;
- Mono-component dip galvanizing followed by: Wilting > Drying > Cooling;
- Epoxy micaceous primer application followed by: Wilting > Drying > Cooling;
- Acrylic enamel application followed by: Wilting > Drying > Cooling;
- Packing at least after 24-hour-drying at room temperature.

DIE-CAST ALUMINIUM

Protection of die-cast aluminium surfaces for lighting fixtures, tops, collars, brackets and pastorals

Brackets, pastoral, and die-cast accessories undergo a cycle of powder painting which creates a barrier against the corrosion of metal parts. Moreover this barrier makes the finished product comply with design specifications in terms of surface roughness, color and reflectance. The cycle consists of the following steps:

- Micro sandblasting;
- Hot pickling bath in a zinc-based phosphodegreasing solution;
- Specific process for the preparation of surfaces before painting;
- Washing with water;
- Rinsing with demineralised water and subsequent drying;
- First powder layer application followed by kiln baking at 180°;
- Final powder layer application using a High Durability product and final kiln roasting at 180°C.



Salt spray test | FLORIDA TEST

The top quality of such treatments is confirmed by salt spray tests performed in accordance with standard ISO 9227:2017 Neutral Salt Spray test (NSS). The test was carried out for 8.000 hours at 35°C and demonstrated through the report test released.



GMR ENLIGHTS s.r.l

Legal headquarters:  
Strada Provinciale Specchia - Alessano, 68 • 73040 (LE)

Administrative and operational headquarters:  
Via Grande n°226 • 47032 Bertinoro (FC)

T +39 0543 462611  
F +39 0543 449111

info@gmrenlights.com  
www.gmrenlights.com