

# Vasto 070 - 080

## Technical data

Cylindrical stainless steel tapered poles with base in cast iron designed for **single, double, triple or quadruple pole-arms installations**. The poles are available with foundation or flanged and they are equipped with M12 screw, AISI 304 stainless steel (electrically grounded).

### VASTO POLE 070

mm 7.080 mm

Flange  
VAP070\_F  
kg 136 Kg

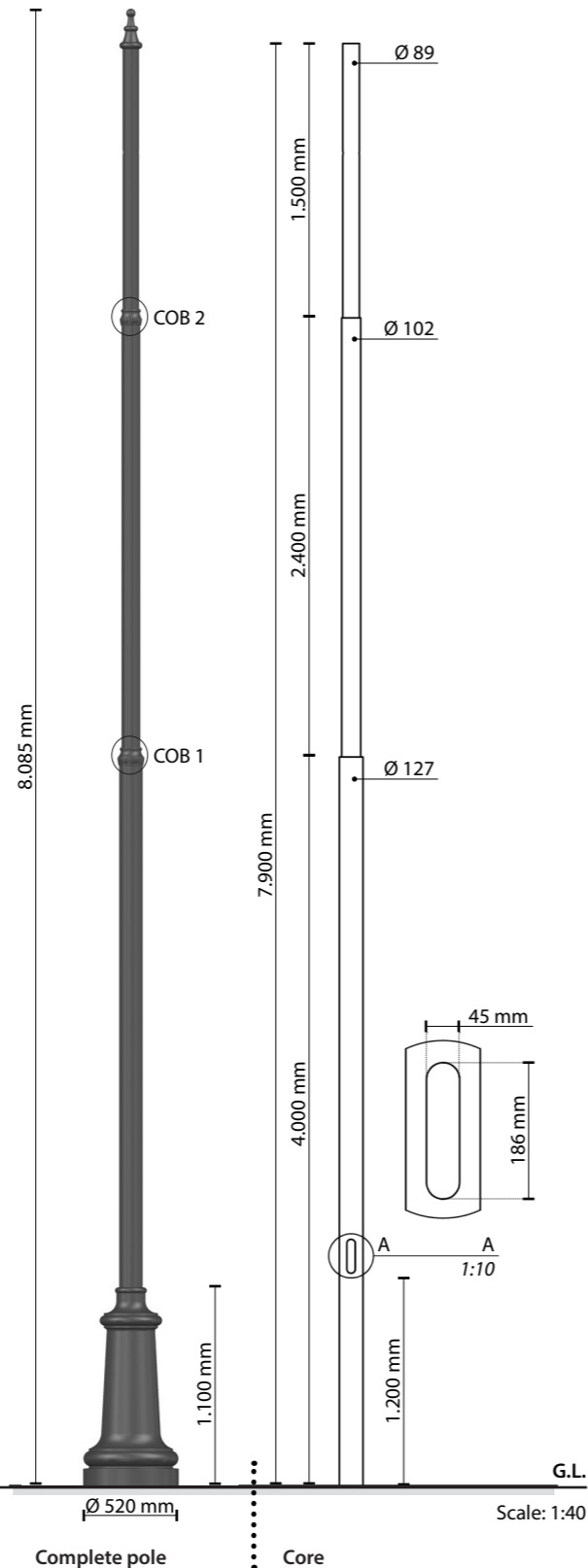
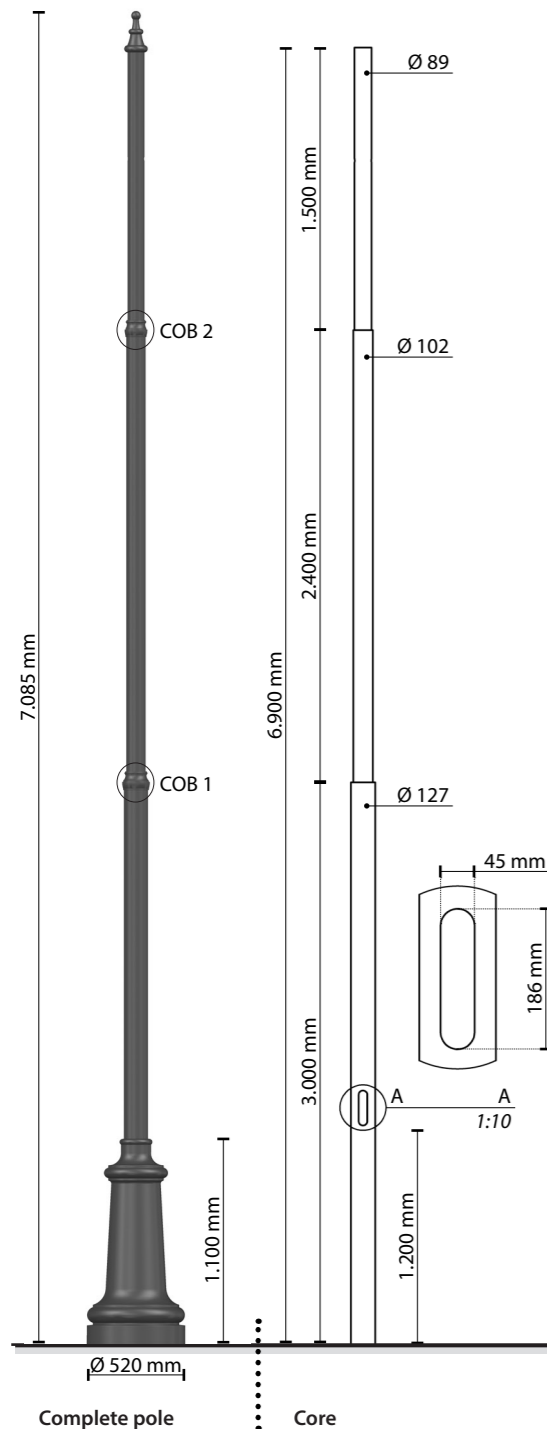
Foundation  
VAP070\_M  
kg 139 Kg

### VASTO POLE 080

mm 8.085 mm

Flange  
VAP080\_F  
kg 145 Kg

Foundation  
VAP080\_M  
kg 148 Kg



#### Tops

Standard	On request	
M	C	P

#### COLLAR COB

- a=133 mm | b=110 mm | c=145 mm | h=100 mm
- a=106 mm | b=96 mm | c=120 mm | h=90 mm

### CONFORMITY



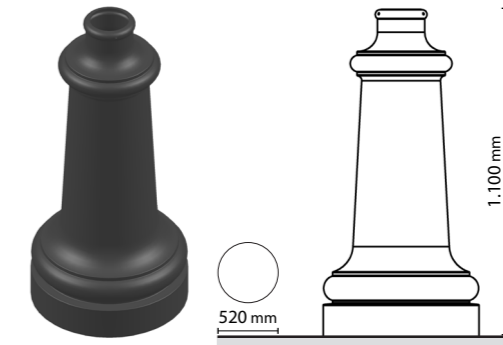
### MATERIALS

Base: Cast-iron | EN1561  
Core: Steel S355 - hot galvanized | UNI EN 10219 - EN1461  
Collar | Top: Die cast aluminium | EN1706

Color: **GMR dark**

### BASE Vasto 12

kg 74 Kg  
Scale: 1:30



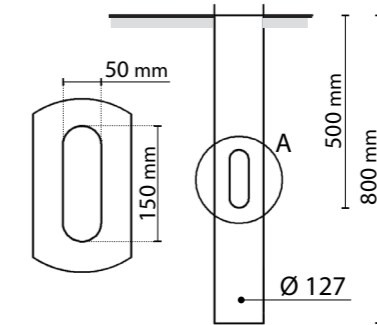
### TERMINAL BLOCK 4x16mm<sup>2</sup> SMOOTH FITTING DOOR



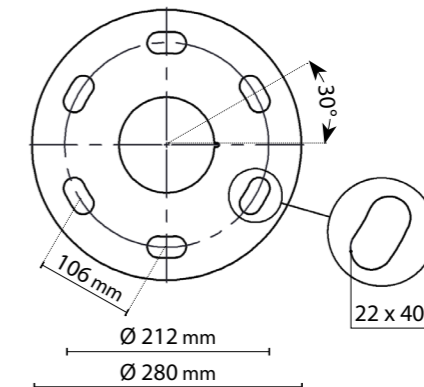
### ANCHORAGE TYPE

Foundation

Supplied: heat-shrink sheath



### Flange



## Protection cycles

GMR ENLIGHTS works with cast iron, steel and aluminum. The materials are selected and processed to maximize performance and quality.

### GALVANIZED STEEL

#### Protection of galvanized steel surfaces for poles

The protection of galvanized steel elements is achieved by following steps:

- Micro sandblasting;
- First epoxy layer application followed by: Wilting > Drying > Cooling;
- Acrylic glaze layer application followed by: Wilting > Drying > Cooling;
- Packing at least after 24-hour-drying at room temperature.

#### Protection of galvanized steel surfaces for brackets and pastorals

The protection of the galvanized steel elements is achieved thanks to:

- Micro sandblasting;
- Phosphoric pickling bath at a ph level ranging from 1.5 to 3;
- Rinsing with demineralised water;
- First powder layer application;
- Kiln firing;
- Application of a final powder layer;
- Kiln roasting of the final powder layer at 180°;
- Cooling.

### CAST IRON

#### Protection of cast iron surfaces for bases

The protection of cast iron elements is achieved by the following treatments:

- Surface micro shotblasting;
- Mono-component dip galvanizing followed by: Wilting > Drying > Cooling;
- Epoxy micaceous primer application followed by: Wilting > Drying > Cooling;
- Acrylic enamel application followed by: Wilting > Drying > Cooling;
- Packing at least after 24-hour-drying at room temperature.

### DIE-CAST ALUMINIUM

#### Protection of die-cast aluminium surfaces for lighting fixtures, tops, collars, brackets and pastorals

Brackets, pastoral, and die-cast accessories undergo a cycle of powder painting which creates a barrier against the corrosion of metal parts. Moreover this barrier makes the finished product comply with design specifications in terms of surface roughness, color and reflectance. The cycle consists of the following steps:

- Micro sandblasting;
- Hot pickling bath in a zinc-based phosphodegreasing solution;
- Specific process for the preparation of surfaces before painting;
- Washing with water;
- Rinsing with demineralised water and subsequent drying;
- First powder layer application followed by kiln baking at 180°;
- Final powder layer application using a High Durability product and final kiln roasting at 180°C.



#### Salt spray test | FLORIDA TEST

The top quality of such treatments is confirmed by salt spray tests performed in accordance with standard ISO 9227:2017 Neutral Salt Spray test (NSS).

The test was carried out for 8.000 hours at 35°C and demonstrated through the report test released.



**GMR ENLIGHTS s.r.l.**

Legal headquarters:

Strada Provinciale Specchia - Alessano, 68 - 73040 (LE)

Administrative and operational headquarters:

Via Grande n°226 - 47032 Bertinoro (FC)

T +39 0543 462611

F +39 0543 449111

[info@gmrenlights.com](mailto:info@gmrenlights.com)  
[www.gmrenlights.com](http://www.gmrenlights.com)