

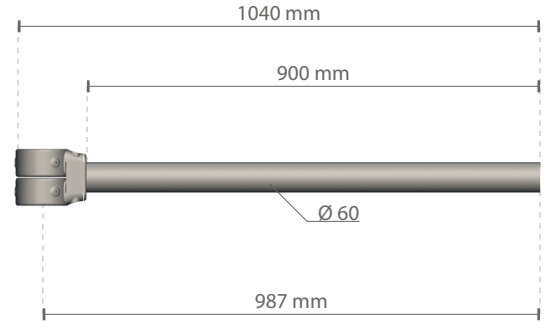
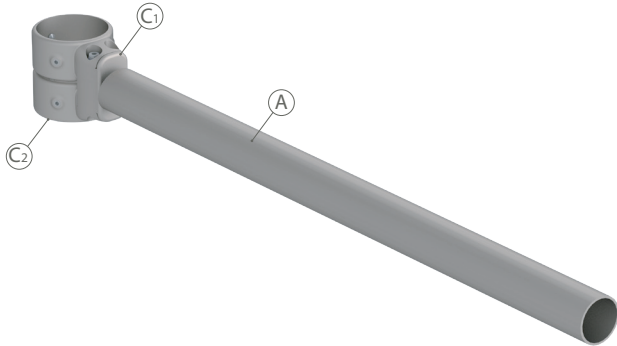
# Steel Line Straight large B pole arm

Product code: SDM L B

2020.10

01 | 02

-  Single  
SDM L B\_01
-  Double  
SDM L B\_02
-  Triple  
SDM L B\_03
-  Quad  
SDM L B\_04



The drawings show the pole arm with Ø 89 pole collars, suitable for Steel Black poles fixing. The pole arm is equipped with Ø 79 pole collars for Steel Red or Steel Green poles fixing. (Ø 79 pole collars are shown in the pictures at the bottom.)

Scale: 1:15

Pole arm predisposed for the installation of lighting fixtures with lateral mounting on 7, 8, 9 e 10 m. poles.  
The pole arm is available in single version for Steel Green poles, in single, double, triple or quad version for Steel Black and Steel Red poles.  
The pole arm is equipped for the lighting fixtures fixing.

## Geometry and mechanical features (\*)

- Height: -
- Width: 900 mm (pole collar excluded)
- Weight: 4,2 Kg (pole collar excluded)
- Extension: 987 mm (Ø89 pole collar)

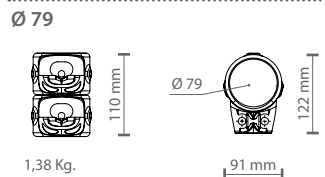
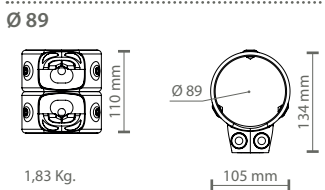
(\*): Referred to single version

## Materials | Color

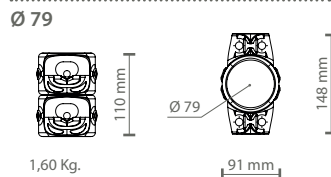
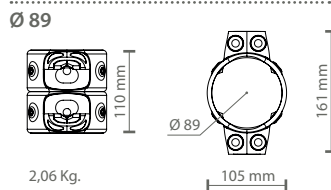
- Bracket (A): S235 steel | EN 10083-1
- Pole collar joint (C1): C30 steel | EN 10083-1
- Pole collar (C2): C40 steel | EN 10083-1
- Decorative element (D): Die-cast aluminium | EN 1706
- Screws and bolts: AISI 304 stainless steel
- Color: Light grey

## Pole collars (C2) Scale: 1:10

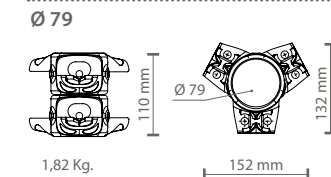
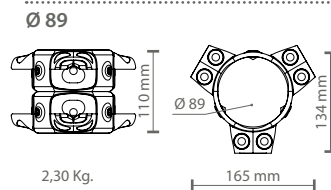
○ SDM L B\_01



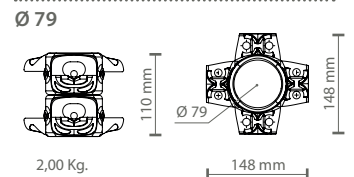
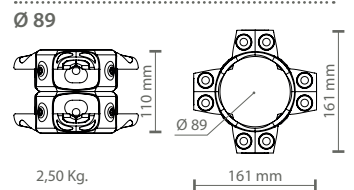
● SDM L B\_02



●● SDM L B\_03



●●● SDM L B\_04



## Protection cycles

### GALVANIZED STEEL

#### Protection of galvanized steel surfaces for poles

The protection of galvanized steel elements is achieved by following steps:

- Micro sandblasting
- First epoxy layer application followed by: Wilting > Drying > Cooling
- Acrylic glaze layer application followed by: Wilting > Drying > Cooling
- Packing at least after 24-hour-drying at room temperature.

#### Protection of galvanized steel surfaces for brackets and pastorals

The protection of the galvanized steel elements is achieved thanks to:

- Micro sandblasting
- Phosphoric pickling bath at a ph level ranging from 1.5 to 3
- Rinsing with demineralised water
- First powder layer application
- Kiln firing
- Application of a final powder layer
- Kiln roasting of the final powder layer at 180°
- Cooling.

### CAST IRON

#### Protection of cast iron surfaces for bases

The protection of cast iron elements is achieved by the following treatments:

- Surface micro shotblasting
- Mono-component dip galvanizing followed by: Wilting > Drying > Cooling
- Epoxy micaceous primer application followed by: Wilting > Drying > Cooling
- Acrylic enamel application followed by: Wilting > Drying > Cooling.
- Packing at least after 24-hour-drying at room temperature.

### DIE-CAST ALUMINIUM

#### Protection of die-cast aluminium surfaces for lighting fixtures, tops, collars, brackets and pastorals

Brackets, pastoral, and die-cast accessories undergo a cycle of powder painting which creates a barrier against the corrosion of metal parts. Moreover this barrier makes the finished product comply with design specifications in terms of surface roughness, color and reflectance. The cycle consists of the following steps:

- Micro sandblasting
- Hot pickling bath in a zinc-based phosphodegreasing solution
- Phospho-chromatation for surfeces clearing
- Washing with water
- Rinsing with demineralised water and subsequent drying
- First powder layer application followed by kiln baking at 180°
- Final powder layer application using a High Durability product and final kiln roasting at 180°C.



Salt spray test | FLORIDA TEST

The top quality of such treatments is confirmed by the succesfull results of specific salt spray test ( all products exce-  
ded widely 2.500 hours) and the strictest international tests,  
among which FLORIDA TEST.

The salt spray test is made in accordance with standard UNI  
EN ISO 9227.



**GMR ENLIGHTS s.r.l.**

Legal headquarters:  
Strada Provinciale Specchia - Alessano, 68 - 73040 (LE)

Administrative and operational headquarters:  
Via Grande n°226 - 47032 Bertinoro (FC)

T +39 0543 462611  
F +39 0543 449111

**sales@gmrenlights.com**  
**www.gmrenlights.com**