

# Steel Green pole 090

Product code: SGP090



Flange  
SGP090\_F



Foundation  
SGP090\_M

Curved conical steel hot rolling pole, prepared for single Line and Fork pole arm installation.

The pole is equipped with an M12 screw, steel inox AISI 304 (grounding).

## Conformity



## Geometry and mechanical features

- Total height: 9.000 mm
- Total weight: flange: 72 Kg  
 foundation: 76 Kg

## Materials | Color

- Core: hot rolled steel S355 - hot galvanized | EN 10025 - EN1461
- Top: Die cast aluminium | EN1706
- Color: Light grey

## Terminal block 4x16mm<sup>2</sup>

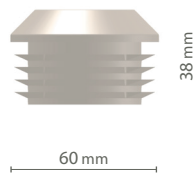
Smooth fitting door



## Tops

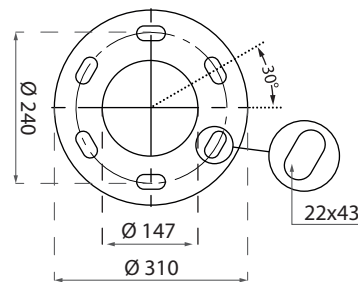
Standard

FNP

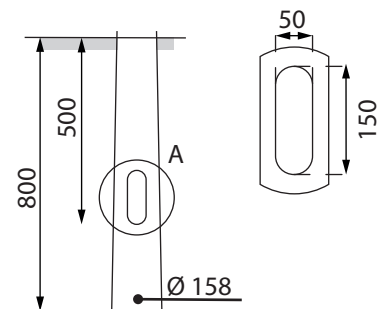


## Fixing type

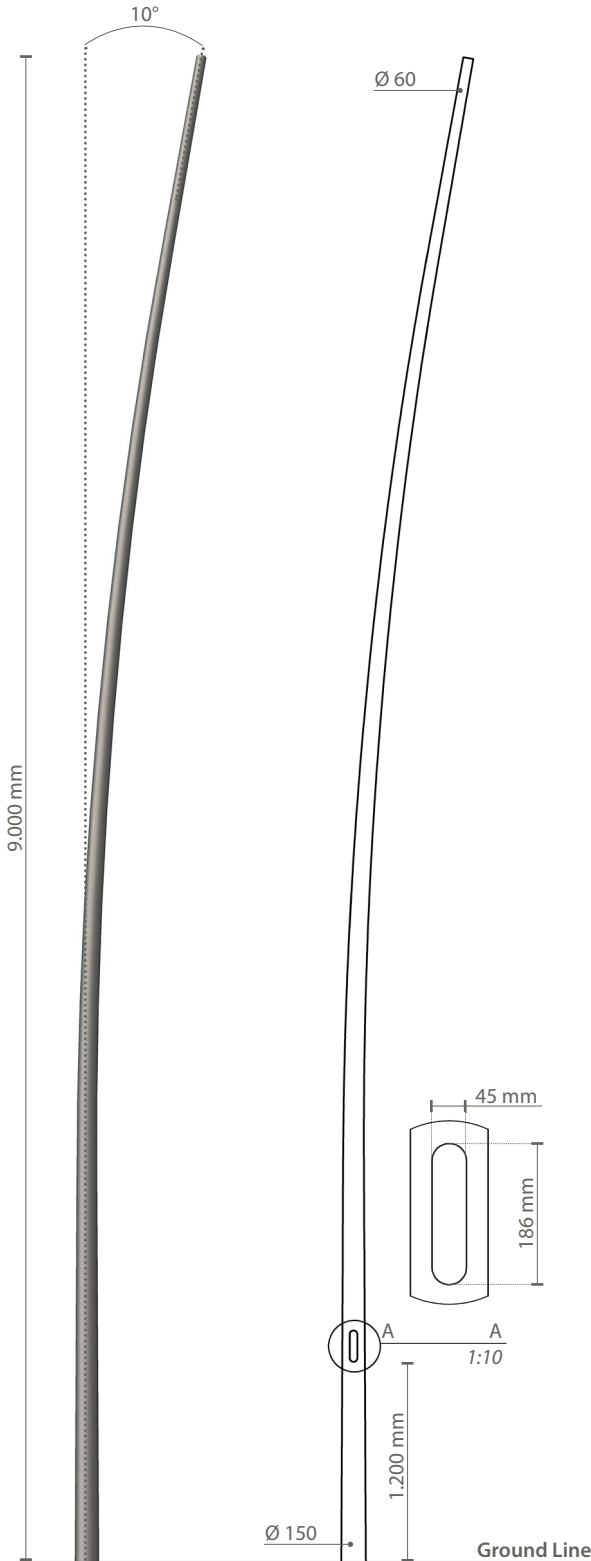
Flange



Foundation



Supplied:  
Heat-shrink sheat



Scale: 1:45

## Protection cycles

### GALVANIZED STEEL

#### Protection of galvanized steel surfaces for poles

The protection of galvanized steel elements is achieved by following steps:

- Micro sandblasting
- First epoxy layer application followed by: Wilting > Drying > Cooling
- Acrylic glaze layer application followed by: Wilting > Drying > Cooling
- Packing at least after 24-hour-drying at room temperature.

#### Protection of galvanized steel surfaces for brackets and pastorals

The protection of the galvanized steel elements is achieved thanks to:

- Micro sandblasting
- Phosphoric pickling bath at a ph level ranging from 1.5 to 3
- Rinsing with demineralised water
- First powder layer application
- Kiln firing
- Application of a final powder layer
- Kiln roasting of the final powder layer at 180°
- Cooling.

### CAST IRON

#### Protection of cast iron surfaces for bases

The protection of cast iron elements is achieved by the following treatments:

- Surface micro shotblasting
- Mono-component dip galvanizing followed by: Wilting > Drying > Cooling
- Epoxy micaceous primer application followed by: Wilting > Drying > Cooling
- Acrylic enamel application followed by: Wilting > Drying > Cooling.
- Packing at least after 24-hour-drying at room temperature.

### DIE-CAST ALUMINIUM

#### Protection of die-cast aluminium surfaces for lighting fixtures, tops, collars, brackets and pastorals

Brackets, pastoral, and die-cast accessories undergo a cycle of powder painting which creates a barrier against the corrosion of metal parts. Moreover this barrier makes the finished product comply with design specifications in terms of surface roughness, color and reflectance. The cycle consists of the following steps:

- Micro sandblasting
- Hot pickling bath in a zinc-based phosphodegreasing solution
- Phospho-chromatation for surfeces clearing
- Washing with water
- Rinsing with demineralised water and subsequent drying
- First powder layer application followed by kiln baking at 180°
- Final powder layer application using a High Durability product and final kiln roasting at 180°C.



Salt spray test | FLORIDA TEST

The top quality of such treatments is confirmed by the succesfull results of specific salt spray test ( all products exce-  
ded widely 2.500 hours) and the strictest international tests,  
among which FLORIDA TEST.

The salt spray test is made in accordance with standard UNI  
EN ISO 9227.



**GMR ENLIGHTS s.r.l**

Legal headquarters:  
Strada Provinciale Specchia - Alessano, 68 - 73040 (LE)

Administrative and operational headquarters:  
Via Grande n°226 - 47032 Bertinoro (FC)

T +39 0543 462611  
F +39 0543 449111

**sales@gmrenlights.com**  
**www.gmrenlights.com**