

Cqc 070 - 080

Technical data

Cylindrical stainless steel tapered poles with base in cast iron designed for **single, double, triple or quadruple pole-arms installations**. The poles are available with foundation or flanged and they are equipped with M12 screw, AISI 304 stainless steel (electrically grounded).

CQC POLE 070

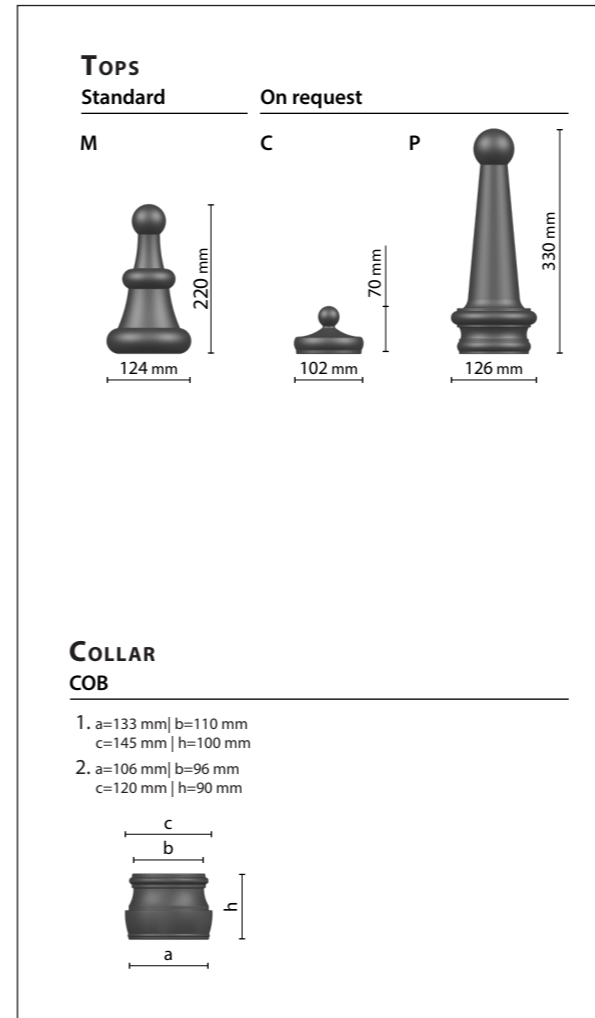
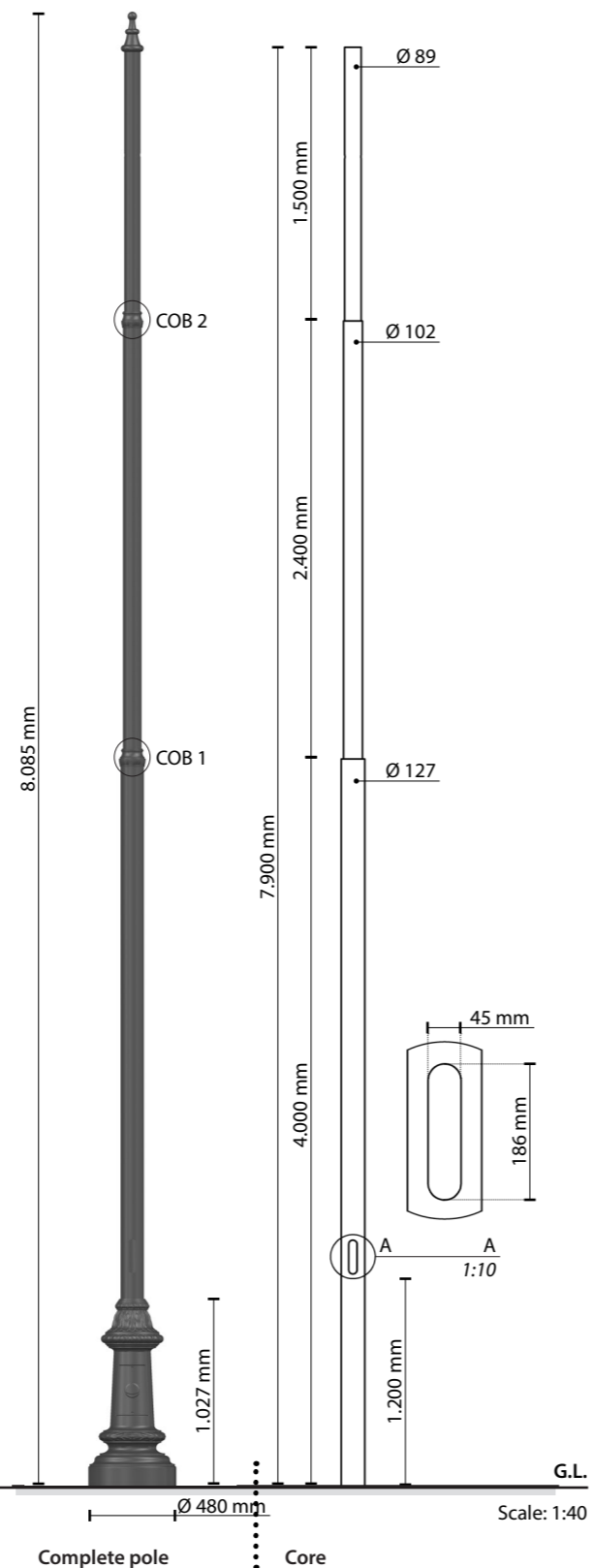
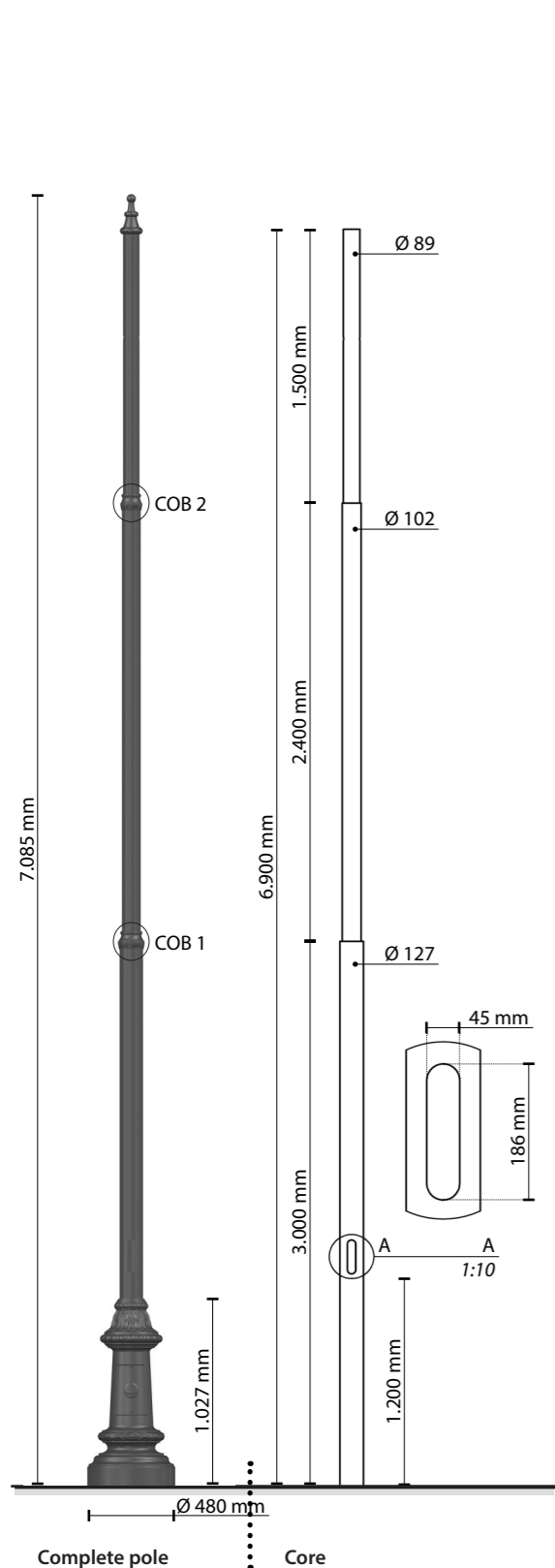
Flange
CQP070_F
121 Kg

Foundation
CQP070_M
124 Kg

CQC POLE 080

Flange
CQP080_F
130 Kg

Foundation
CQP080_M
133 Kg



CONFORMITY



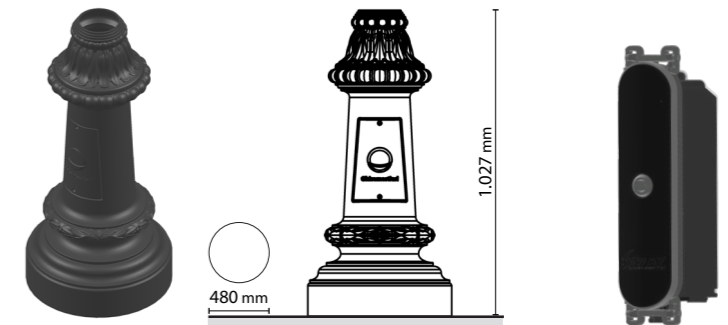
MATERIALS

- Base: Cast-iron | EN1561
- Inspection door: Die cast aluminium | EN1706
- Core: Steel S355 - hot galvanized | UNI EN 10219 - EN1461
- Collar | Top: Die cast aluminium | EN1706
- Color: GMR dark

BASE Cqc 12

68 Kg
Scale: 1:30

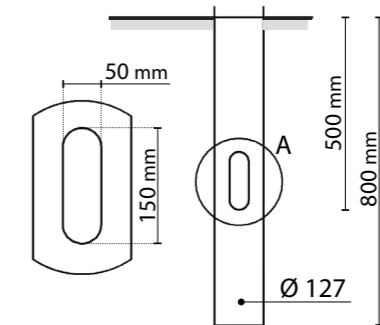
TERMINAL BLOCK 4x16mm² SMOOTH FITTING DOOR



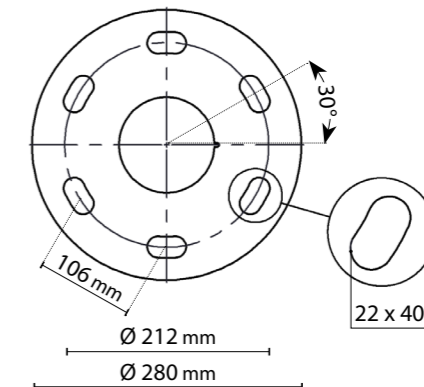
ANCHORAGE TYPE

Foundation

Supplied: heat-shrink sheath



Flange



Protection cycles

GMR ENLIGHTS works with cast iron, steel and aluminum. The materials are selected and processed to maximize performance and quality.

GALVANIZED STEEL

Protection of galvanized steel surfaces for poles

The protection of galvanized steel elements is achieved by following steps:

- Micro sandblasting;
- First epoxy layer application followed by: Wilting > Drying > Cooling;
- Acrylic glaze layer application followed by: Wilting > Drying > Cooling;
- Packing at least after 24-hour-drying at room temperature.

Protection of galvanized steel surfaces for brackets and pastorals

The protection of the galvanized steel elements is achieved thanks to:

- Micro sandblasting;
- Phosphoric pickling bath at a ph level ranging from 1.5 to 3;
- Rinsing with demineralised water;
- First powder layer application;
- Kiln firing;
- Application of a final powder layer;
- Kiln roasting of the final powder layer at 180°;
- Cooling.

CAST IRON

Protection of cast iron surfaces for bases

The protection of cast iron elements is achieved by the following treatments:

- Surface micro shotblasting;
- Mono-component dip galvanizing followed by: Wilting > Drying > Cooling;
- Epoxy micaceous primer application followed by: Wilting > Drying > Cooling;
- Acrylic enamel application followed by: Wilting > Drying > Cooling;
- Packing at least after 24-hour-drying at room temperature.

DIE-CAST ALUMINIUM

Protection of die-cast aluminium surfaces for lighting fixtures, tops, collars, brackets and pastorals

Brackets, pastoral, and die-cast accessories undergo a cycle of powder painting which creates a barrier against the corrosion of metal parts. Moreover this barrier makes the finished product comply with design specifications in terms of surface roughness, color and reflectance. The cycle consists of the following steps:

- Micro sandblasting;
- Hot pickling bath in a zinc-based phosphodegreasing solution;
- Specific process for the preparation of surfaces before painting;
- Washing with water;
- Rinsing with demineralised water and subsequent drying;
- First powder layer application followed by kiln baking at 180°;
- Final powder layer application using a High Durability product and final kiln roasting at 180°C.



Salt spray test | FLORIDA TEST

The top quality of such treatments is confirmed by salt spray tests performed in accordance with standard ISO 9227:2017 Neutral Salt Spray test (NSS).

The test was carried out for 8.000 hours at 35°C and demonstrated through the report test released.



GMR ENLIGHTS s.r.l.

Legal headquarters:

Strada Provinciale Spechia - Alessano, 68 - 73040 (LE)

Administrative and operational headquarters:

Via Grande n°226 - 47032 Bertinoro (FC)

T +39 0543 462611

F +39 0543 449111

info@gmrenlights.com
www.gmrenlights.com